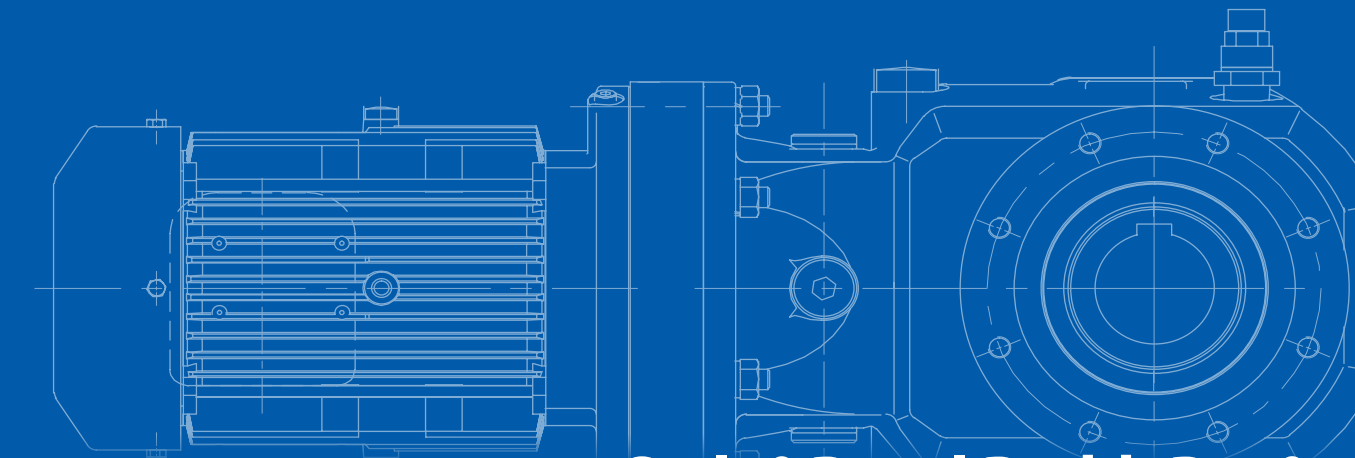


Cyclo Bevel BuddyBox® 5 series

www.sumitomodrive.com/BBB5



Cyclo® Bevel BuddyBox® 5

Right Angle Spiral Bevel Speed Reducer
with Cyclo® or Planetary Input
5 Series

Cyclo® Technology: Unparalleled Performance

Sumitomo's unique Cyclo® technology offers quiet, efficient and reliable operation with high torque density and compact size:

Cycloidal "Gearless" Speed Reduction

Torque transmitting parts roll, rather than grind, providing quiet, efficient and reliable performance

Superior Materials

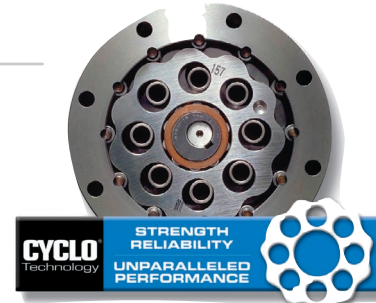
52100 bearing grade steel rotating components, hardened to 58 Rockwell C for unmatched durability and reliability

Long Life and High Shock Load Capacity

The Cyclo® input has two-thirds of its reduction components in contact at all times, resulting in exceptionally rugged, shock resistant performance

Sumitomo Standard 24-month Warranty

Our standard warranty is not limited by hours of operation.



Cyclo® BBB5

Optimized for Free-Flowing Material Handling Applications

- Conveyors
- Airport baggage handling conveyors
- Food and beverage machinery
- Parcel handling
- Solar tracking

- Water treatment filter press
- Parts handling conveyors
- Wood and paper processing
- Packaging equipment

Product Configurator: www.sumitomodrive.com/Configurator

Trying to select a drive? Need more technical specifications? Need pricing?

Sumitomo Drive Technologies' online product Configurator streamlines the selection process, enabling you to build our power transmission products for your specific application.

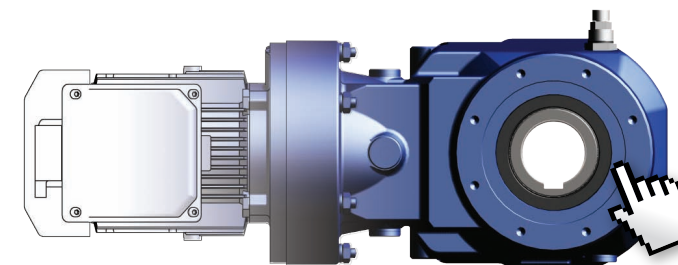


Available 24 hours a day, 7 days a week, registered users quickly receive results that include:

- Downloadable 2D and 3D CAD files
- Product Literature
- Technical Specification Sheet
- Product Ratings
- Request for Quote*
- Quotations*

This unique interactive tool is one more reason Sumitomo Drive Technologies is the world's premier power transmission and control solutions provider.

*Not available for all markets



Configure your Cyclo® BBB5 today at
www.sumitomodrive.com/Configurator

Sumitomo Americas

Sumitomo Machinery Corporation of America (SMA) is a subsidiary of Sumitomo Heavy Industries (SHI), the global leader in power transmission knowledge and innovation.

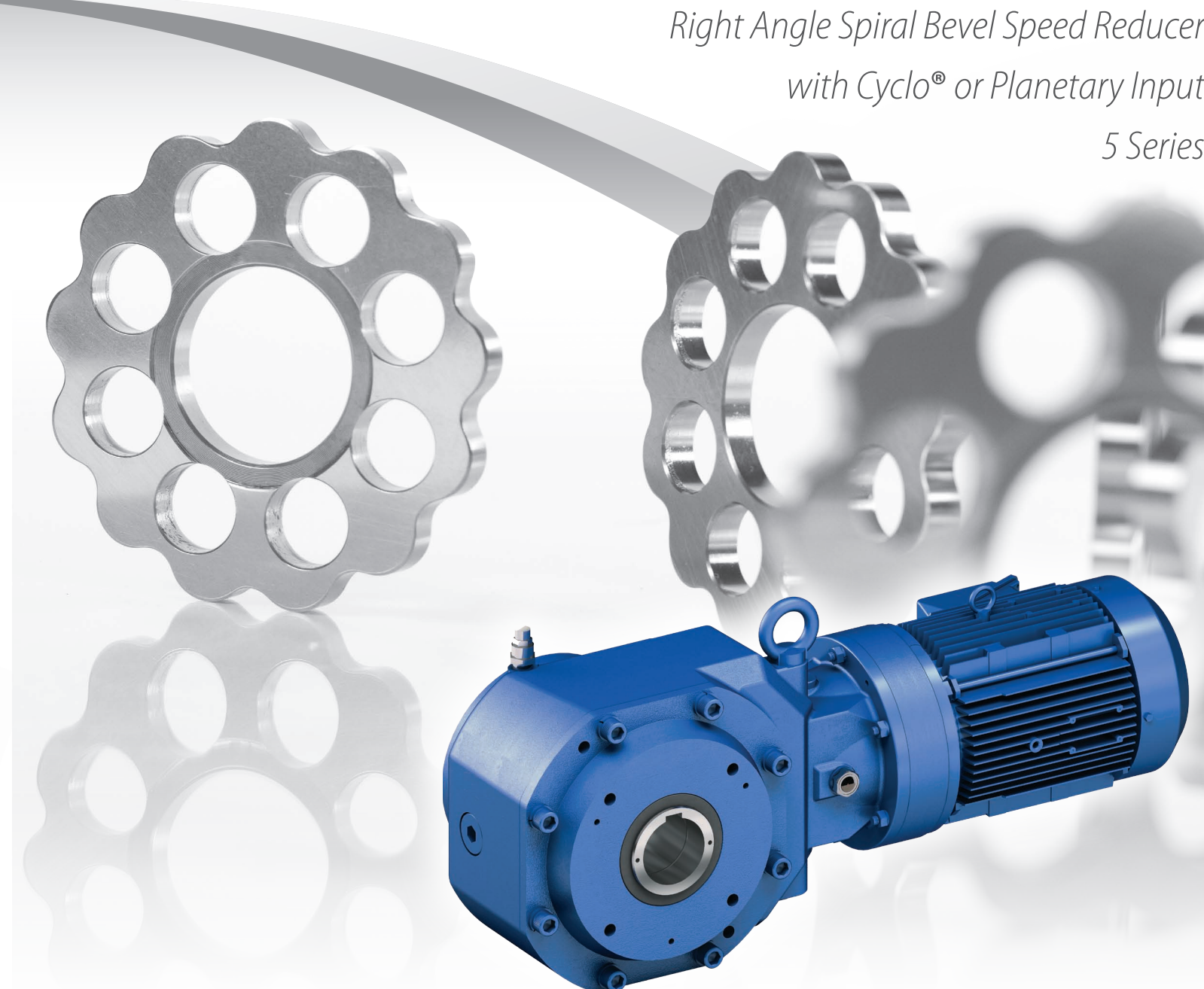
SMA began its operations in 1966 with a work force of ten people and an assembly facility of 5,000 ft² (465 m²). Today, our corporate headquarters in Chesapeake, VA (USA), combined with our strategic satellite locations throughout North, Central and South America occupy more than 500,000 ft² (46,500 m²) of office and manufacturing space. We ship thousands of drive products every month, adding to our North and South American installed base of more than five million units. SMA is committed to providing **Quality at Every Stage.**

USA - Headquarters & Manufacturing

4200 Holland Boulevard
Chesapeake VA 23323
Tel: 757-485-3355



Cyclo® BBB5 series is
Made in the USA



Sumitomo Machinery Corporation of America

www.sumitomodrive.com

For facilities located in the Americas, please visit www.sumitomodrive.com/locations

For worldwide locations, please visit www.sumitomodrive.com/worldwide

Tel: 1-800-SM-CYCLO

Sumitomo Machinery Corporation of America

Cyclo® Bevel BuddyBox® 5 Series

Right Angle Spiral Bevel Speed Reducers with Cyclo® or Planetary Reducer Inputs

The Cyclo® Bevel BuddyBox® 5 Series (Cyclo® BBB5) is a highly efficient, state of the art, compact series of speed reducers and gearmotors. Designed for keyed hollow shaft or shrink disc mounting applications, and easy maintenance, the Cyclo® BBB5's exterior dimensions have been minimized without compromising the ability to transmit torque. The all-steel internal construction, Cyclo® or planetary gear inputs, and space-saving housing design, make the Cyclo® BBB5 unmatched in reliability, efficiency and durability.

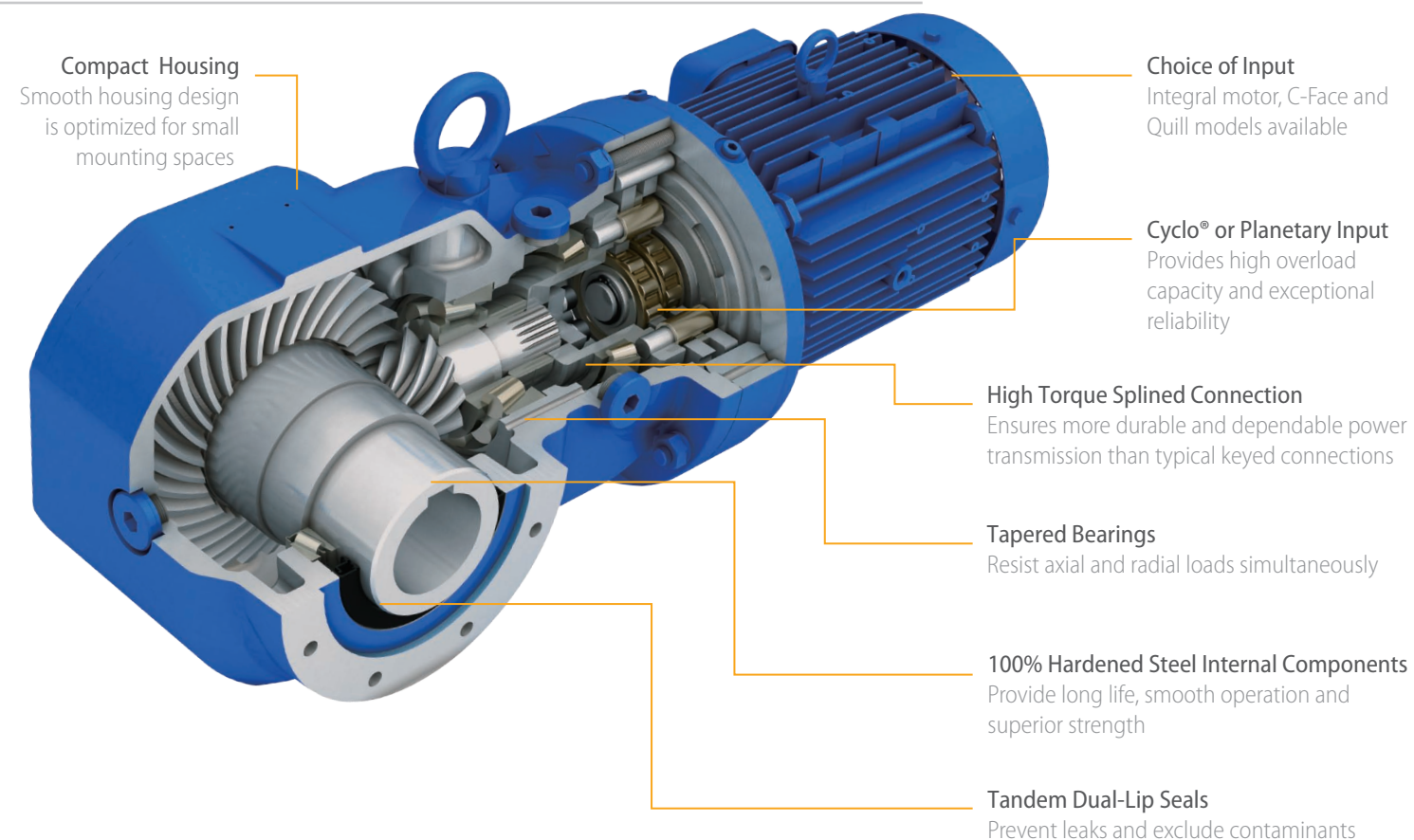
The Cyclo® BBB5 was, specifically designed to be shaft mounted in a compact housing design

Shaft-Mount Cyclo® Bevel BuddyBox® 5 Series

- Product Design**
 The compact Cyclo® BBB5 features a smooth, cast iron housing design, and is optimized for shaft-mount applications, long life and easy maintenance
- No Thermal Limitations**
 The Cyclo® BBB5 series runs cooler and lasts longer than typical right angle shaft gearmotors
- High Efficiency**
 The Cyclo® BBB5 utilizes high performance steel spiral bevel gearing that delivers up to 94% efficiency
- Lightweight Design**
 The Z Size features a small, light-weight aluminum die-cast housing, making it the ideal upgrade from typical worm gear drives

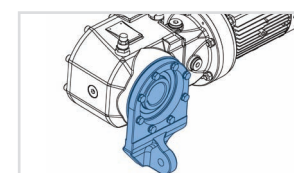
Specifications Summary

Sizes: 4 frame sizes, 55 to 906 lbs (25 to 412 kg)
Torque Capacity: Up to 45,450 lb-in (5,140 N·m)
HP Rating: 1/8 to 60 HP (0.1 to 45 kW)
Ratio Range: 11:1 to 26,492:1 and greater
Mounting: Hollow Shaft, Flange, Face
Motor Standards: NEMA, IEC, JIS, UL, CSA, CE

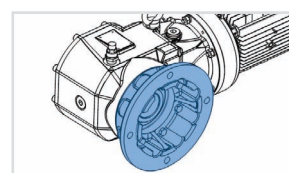


Multiple Shaft Mounting Options

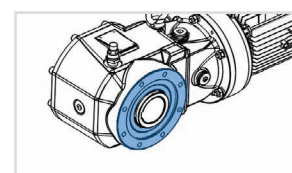
Torque Arm, Flange, and U Face mount are available options for the Cyclo® BBB5 series.



Torque Arm



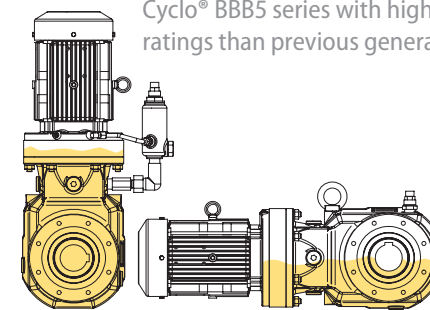
Flange



U Face

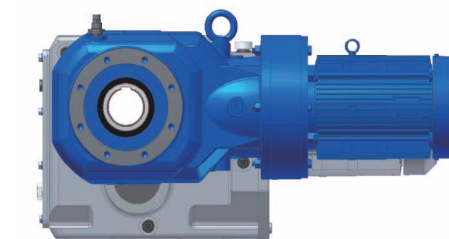
Additional Features

- Unified Lubrication System***
 Cyclo® BBB5 features a single oil-bath lubrication system for easy maintenance and higher performance. This upgraded lubrication system provides the Cyclo® BBB5 series with higher ratings than previous generations.



*Unified lubrication system not available on motor-down mounting configurations

- Compact Design**
 The housing design of the Cyclo® BBB5 offers a small, compact right angle drive, without compromising performance and efficiency.



The Cyclo® BBB5 is a more compact series than most typical right angle shaft gearmotors in the same class.

Input and Output Options

- Shaft Mount Design**
 The Cyclo® BBB5 series of right angle gearmotors and speed reducers is optimized for shaft mounted applications. Direct shaft mounted speed reducers continue to grow in popularity. This drive arrangement saves space, reduces structural costs and increases safety. Operating efficiencies are significantly increased when the shaft mounted reducer is a direct connected right angle bevel unit. Typically, efficiency gains of 5% to 10% or more are achieved.



Shaft Mount Design

Cyclo® Bevel BuddyBox® 5 Series Frame Size Details

Frame Size	POWER		BORE RANGE	
	Max Torque lb-in (N·m)	Max Motor Power HP (kW)	Keyed Hollow Shaft inch (mm)	Shrink Disc Inch (mm)
Size Z*	7,350 (830)	15 (11)	1-3/16 to 1-3/4 (30 to 45)	1-3/16 to 1-3/4 (30 to 45)
Size A	11,420 (1,290)	25 (18.5)	1-1/4 to 2-3/16 (45 to 55)	1-1/4 to 2-3/16 (45 to 55)
Size B	22,745 (2,570)	40 (30)	1-3/8 to 2-5/8 (55 to 65)	1-3/8 to 2-5/8 (55 to 65)
Size C	45,450 (5,140)	75 (56)	2-3/16 to 3-3/16 (60 to 80)	2-3/16 to 3-3/16 (60 to 80)

* Frame Size Z has a light-weight, die-cast aluminum housing design



Integral Motor



Quill Adapter



C-Face Adapter



Shrink Disc



Keyed Hollow Shaft